



# LMK 807

## Plastic Probe for Aggressive Media

Ceramic Sensor

accuracy according to EN IEC 62828-2:  
0.5 % span

### Nominal pressure

from 0 ... 4 mH<sub>2</sub>O up to 0 ... 100 mH<sub>2</sub>O

### Output signals

2-wire: 4 ... 20 mA  
others on request

### Special characteristics

- ▶ diameter 35 mm
- ▶ excellent long term stability
- ▶ easy handling

### Optional versions

- ▶ SIL 2 (Safety Integrity Level) according to IEC 61508 / IEC 61511
- ▶ different kinds of cables and elastomers
- ▶ customer specific version e. g. special pressure ranges

The plastic submersible probe LMK 807 is designed for continuous level measurement for waste water or and different aggressive media.

Basic element of the plastic submersible probe is the flush mounted ceramic sensor, which makes cleaning easier when solid parts of the medium deposit on it. Different cable and elastomer materials are available in order to achieve maximum media compatibility.

### Preferred areas of use are

#### Sewage



waste water treatment  
water recycling  
dumpsite



#### Aggressive media

level measurement in most of acids and lyes



BD SENSORS s.r.o.  
Hradištská 817  
CZ – 687 08 Buchlovice

Tel.: +420 572 411 011

www.bdsensors.cz  
info@bdsensors.cz



Input pressure range									
Nominal pressure gauge	[bar]	0.4	0.6	1	1.6	2.5	4	6	10
Level	[mH <sub>2</sub> O]	4	6	10	16	25	40	60	100
Overpressure	[bar]	1	2	2	4	4	10	10	20
Burst pressure ≥	[bar]	2	4	4	5	5	12	12	25
max. ambient pressure (housing)		20 bar							

Output signal / Supply		
Standard	2-wire: 4 ... 20 mA / V <sub>S</sub> = 8 ... 32 V <sub>DC</sub>	SIL-version: V <sub>S</sub> = 14 ... 28 V <sub>DC</sub>

Performance	
Accuracy <sup>1</sup>	≤ ± 0.5 % span
Permissible load	$R_{max} = [(V_S - V_{S min}) / 0.02 A] \Omega$
Influence effects	supply: 0.05 % span / 10 V load: 0.05 % span / kΩ
Long term stability	≤ ± 0.1 % span / year
Response time	< 10 msec

<sup>1</sup> accuracy according to EN IEC 62828-2– limit point adjustment (non-linearity, hysteresis, repeatability)

Thermal effects (Offset and Span)	
Thermal error	≤ ± 0.2 % span / 10 K in compensated range -25 ... 70 °C

Permissible temperatures	
Permissible temperatures	Medium/ electronics/ environment/ storage: -20 ... 80 °C *
<i>*if the cable is intended for use in a smaller temperature range, the use of the probe is limited by this range.</i>	

Electrical protection <sup>2</sup>	
Short-circuit protection	permanent
Reverse polarity protection	no damage, but also no function
Electromagnetic compatibility	emission and immunity according to EN 61326

<sup>2</sup> additional external overvoltage protection unit in terminal box KL 1 or KL 2 with atmospheric pressure reference available on request

Electrical connection			
Cable with sheath material <sup>3</sup>	PVC (-5 ... 70 °C)	grey (-25 ... 70 °C in fixed condition)	Ø 7,4 mm
	PUR (-25 ... 80 °C)	black (with drinking water certificate)	Ø 7,4 mm
	FEP <sup>4</sup> (-25 ... 75 °C)	black	Ø 7,4 mm
Cable capacitance	signal line/shield also signal line/signal line: 160 pF/m		
Cable inductance	signal line/shield also signal line/signal line: 1 µH/m		
Bending radius	static installation: 10-fold cable diameter    dynamic application: 20-fold cable diameter		

<sup>3</sup> cable with integrated air tube for atmospheric pressure reference

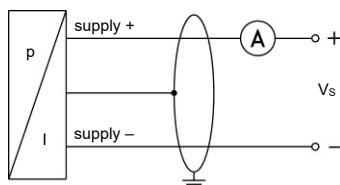
<sup>4</sup> do not use freely suspended probes with an FEP cable if effects due to highly charging processes are expected

Materials (media wetted)	
Housing	PP-HT
Seals	FKM / EPDM / FFKM
Diaphragm	ceramics Al <sub>2</sub> O <sub>3</sub> 96 %
Plášť kabelu	PVC, PUR, FEP

Miscellaneous	
Option SIL 2 application	according to IEC 61508 / IEC 61511
Current consumption	max. 25 mA
Weight	approx. 200 g (without cable)
Ingress protection	IP 68
CE-conformity	EMC Directive: 2014/30/EU

### Wiring diagram

2-wire-system (current)

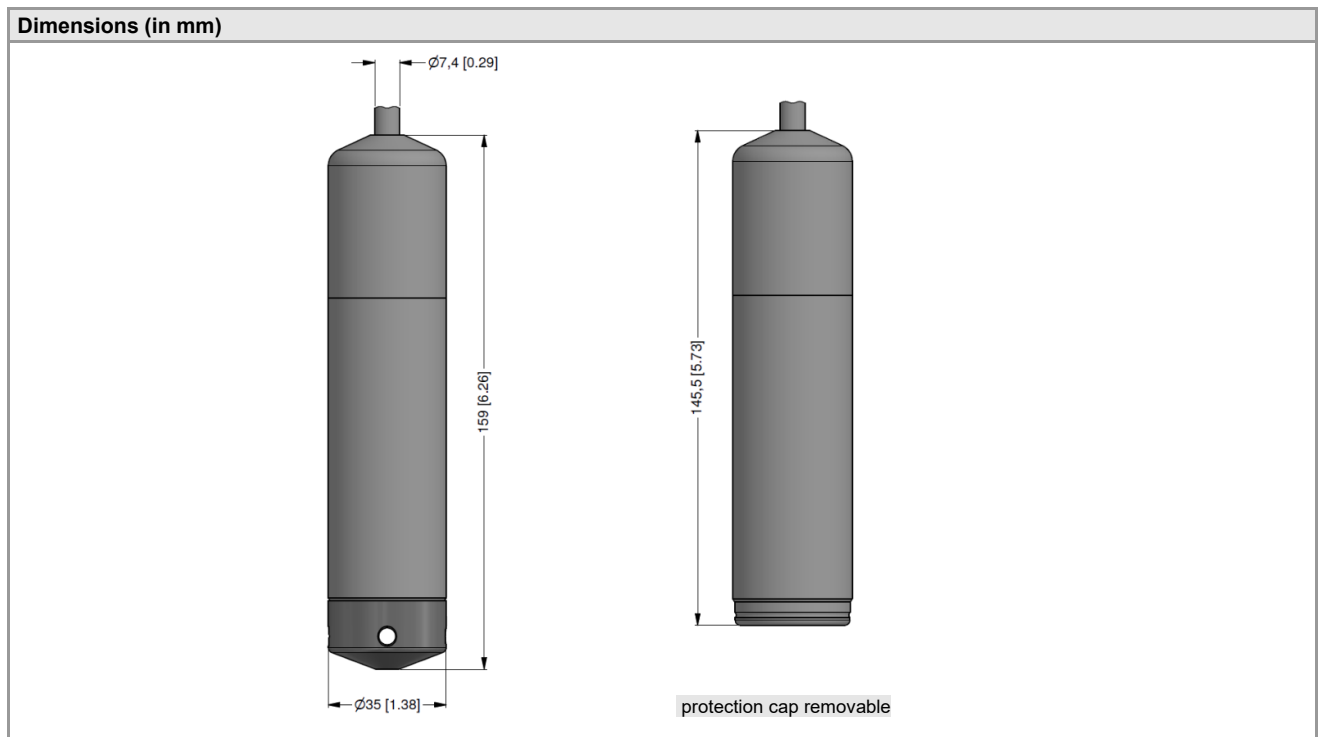


Pin configuration	
Electrical connection	cable colours (DIN 47100)
Supply +	wh (white)
Supply -	bn (brown)
Shield	gn/ye (green / yellow)

# LMK 807

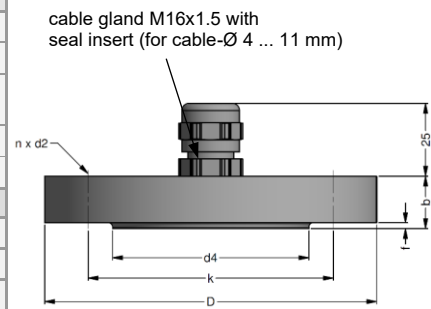
Plastic Submersible Probe

Technical Data



## Accessories

Assembling flange with cable gland		
Technical Data		
Suitable for	all probes	
Flange material	stainless steel 1.4404 (316L)	
Material of cable gland	standard: brass, nickel plated on request: stainless steel 1.4305 (303); plastic	
Seal insert	material: TPE (ingress protection IP 68)	
Hole pattern	according to DIN 2507	
Version	Size (in mm)	Weight
DN25 / PN40	D = 115, k = 85, b = 18, n = 4, d = 14	1.4 kg
DN50 / PN40	D = 165, k = 125, b = 20, n = 4, d = 18	3.2 kg
DN80 / PN16	D = 200, k = 160, b = 20, n = 8, d = 18	4.8 kg
Ordering type		Ordering code
Assembling Flange DN25 / PN40		5000275
Assembling Flange DN50 / PN40		5000278
Assembling Flange DN80 / PN16		5000279



Terminal clamp		
Technical Data		
Suitable for	all probes with cable $\varnothing$ 5.5 ... 10.5 mm	
Material	standard: steel, zinc plated optionally: stainless steel 1.4301 (304)	
Weight	approx. 160 g	
Ordering type		Ordering code
Terminal clamp, of steel, zinc plated		1003440
Terminal clamp, of stainless steel 1.4301 (304)		1000278



This data sheet contains product specification. Properties are not guaranteed. Subjected to change without notice.

LMK807\_EN\_07.06.2021

Tel.: +420 572 411 011

www.bdsensors.cz  
info@bdsensors.cz

**BD SENSORS**<sup>®</sup>  
pressure measurement

## Ordering code LMK 807

23.08.2024

LMK 807

<b>Pressure</b>																		
in bar	3	9	0															
in m H <sub>2</sub> O	3	9	1															
<b>Input</b>	<b>[mH<sub>2</sub>O]</b>	<b>[bar]</b>																
	0 ... 4	0 ... 0,4		4	0	0	0											
	0 ... 6	0 ... 0,6		6	0	0	0											
	0 ... 10	0 ... 1		1	0	0	1											
	0 ... 16	0 ... 1,6		1	6	0	1											
	0 ... 25	0 ... 2,5		2	5	0	1											
	0 ... 40	0 ... 4		4	0	0	1											
	0 ... 60	0 ... 6		6	0	0	1											
	0 ... 100	0 ... 10		1	0	0	2											
	0 ... 160	0 ... 16		1	6	0	2											
	0 ... 250	0 ... 25		2	5	0	2											
<b>Customer</b>				9	9	9	9											
<b>Housing material</b>																		
PP-HT								R										
<b>Customer</b>								9										
<b>Diaphragm material</b>																		
Ceramic Al <sub>2</sub> O <sub>3</sub> 96%									2									
<b>Customer</b>								9										
<b>Output signal</b>																		
4 ... 20 mA / 2-wire														1				
SIL2, 4 ... 20 mA / 2-wire														1S				
0 ... 10 V / 3-wire <sup>2</sup>														3				
<b>Customer</b>								9										
<b>Seals</b>																		
Viton (FKM)														1				
EPDM														3				
FFKM														7				
<b>Customer</b>								9										
<b>Accuracy</b>																		
0,5 %														5				
0,5 % including Calibration Certificate														T				
<b>Customer</b>								9										
<b>Electrical connection</b>																		
PVC - cable (grey, Ø 7,4 mm, price for 1 m) <sup>1</sup>																1		
PUR - cable (black, Ø 7,4 mm, price for 1 m) <sup>1</sup>																2		
FEP - cable with PTFE sheath (black, Ø 7,4 mm, price for 1 m) <sup>1</sup>																3		
<b>Customer</b>								9										
<b>Cable length</b>																		
in m													9	9	9			
<b>Special version</b>																		
Standard																0	0	0
<b>Customer</b>																9	9	9
<b>Accessories for submersible transmitter</b>																		
Terminal clamp - zinc plated																		1003440
Terminal clamp - Stainless Steel 1.4301																		1000278
Mounting screw PG16 - plastic																		5002200

0,-...without additional charge

On request...in accordance with the producer

Surcharges for calibration are not subject to any discounts. Subject to change.

BD SENSORS s.r.o.  
Hradištská 817  
CZ – 687 08 Buchlovice

Tel.: +420 572 411 011

www.bdsensors.cz  
info@bdsensors.cz

The company BD SENSORS s.r.o. is certified by Bureau Veritas Czech according to the standard ISO 9001.

This document contains the specification for ordering the product; detailed technical parameters of the product and its possible variants are given in BD SENSORS reserves the right to change sensor specifications without further notice.

- 1 shielded cable with integrated ventilation tube for atmospheric pressure reference
- 2 maximum length of PVC cable – 25 m, PUR, FEP, TPE – 40 m

