



# DM 10

## Battery Powered Digital Pressure Gauge

Ceramic Sensor

class 0.5

### Nominal pressure

from 0 ... 1.6 bar up to 0 ... 250 bar

### Special characteristics

- ▶ adjustable housing
- ▶ LC display  
4.5-digit 7-segment display
- ▶ standard battery CR 2450  
operation period > 1.500 h

### Functions

- ▶ min / max function with reset function
- ▶ auto-zero
- ▶ setting of pressure unit  
(bar, mbar, psi, MPa, mH<sub>2</sub>O)
- ▶ automatic switch-off configuration

The compact low-cost digital pressure gauge DM 10 is battery-powered and has an adjustable housing; it is thus extremely suitable for mobile pressure monitoring. The 4.5-digit LC-display indicates the battery status, the measurement value as well as the unit, this enables a fast and precise reading.

It is possible to switch between the most common units (bar, psi, mH<sub>2</sub>O, MPa). Additional functions as auto-zero, min / max values and an automatic switching-off complete the DM 10 profile.

### Preferred areas of use are



Mobile Pressure Monitoring  
Plant and Machine Engineering  
Pneumatics / Hydraulics



Environmental Engineering  
(water – sewage – recycling)

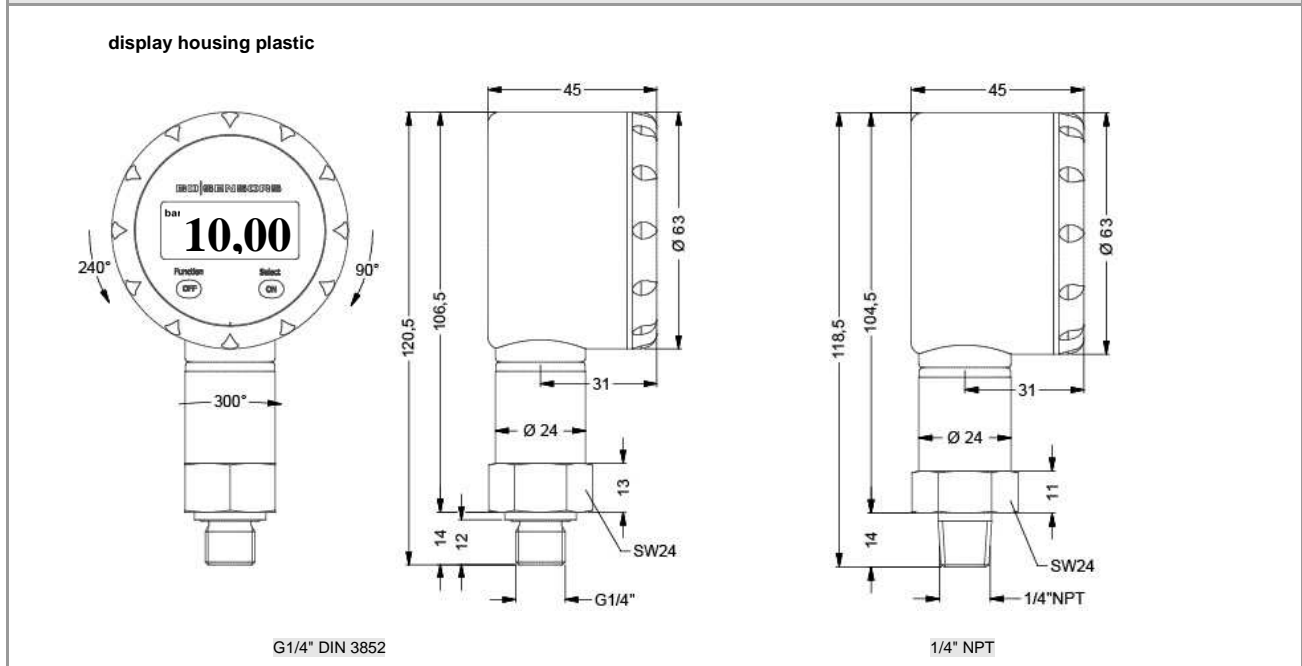


Input Pressure													
Nominal pressure gauge	[bar]	1.6	2.5	4	6	10	16	25	40	60	100	160	250
Overpressure	[bar]	4	4	10	10	20	40	40	100	100	200	400	400
Burst pressure	[bar]	7	7	15	15	35	70	70	150	150	250	450	450
Vacuum resistance		unlimited											

Performance			
Accuracy <sup>1</sup>	$\leq \pm 0.5\%$ FSO BFSL		
Measuring rate	1/sec		
Long term stability	$\leq \pm 0.3\%$ FSO / year		
<sup>1</sup> accuracy according to IEC 60770 – minimum value setting (non-linearity, hysteresis, repeatability)			
Thermal effects (Offset and Span)			
Tolerance band	$\leq \pm 0.5\%$ FSO / 10 K (typ.)	in compensated range 0 ... 50 °C	
Permissible temperatures			
Permissible temperatures	medium: -25 ... 85 °C	environment: 0 ... 70 °C	storage: 0 ... 70 °C
Materials			
Pressure port / housing	stainless steel 1.4301 (304)		
Display housing	PA 6.6, Polycarbonate		
Seals (media wetted)	FKM	others on request	
Diaphragm	ceramics Al <sub>2</sub> O <sub>3</sub> 96 %		
Media wetted parts	pressure port, seals, diaphragm		
Miscellaneous			
Display	LC-Display, visible range 36 x 15 mm; 4.5-digit 7-segment-display, digit size 8.5 mm, range of indication $\pm 1999$		
Electromagnetic compatibility	emission and immunity according to EN 61326		
Supply	3 V lithium battery (CR 2450)		
Data storage	EEPROM (non-volatile)		
Ingress protection	IP 65		
Installation position	any		
Weight	plastic: approx. 150 g		
Operational life of battery	min. 1500 h with permanent operation		
Mech. operational life	100 million load cycles		
CE-conformity	EMC directive 2014/30/EU		pressure equipment directive: 2014/68/EU (Modul A) <sup>2</sup>

<sup>2</sup>This directive is only valid for devices with maximum permissible overpressure > 200 bar.

### Dimensions (in mm)



This data sheet contains product specification, properties are not guaranteed. Subject to change without notice.