



CIT 600

Multichannel Process Display with Contacts

Functional range

- ▶ data and configuration transfer via RS485
- ▶ adjustable contrast and illumination of the display
- ▶ programmable display filter
- ▶ parameterizable under-run and exceeding range alarms
- ▶ software for parameterization device

Product characteristics

- ▶ 2, 4 or 8 input ports
- ▶ input signal: 0/4 ... 20 mA
- ▶ 2 contacts
- ▶ graphic LC display
- ▶ transducer supply 24 VDC
- ▶ communication interface RS485 (Modbus RTU)
- ▶ front panel housing 96 x 96 mm

Optional versions

- ▶ input signal Pt100 / Pt500 / Pt1000

Display modes



- ▶ simultaneous display of max. eight ports with scalable measured value and unit or standardized measured value and bargraph



- ▶ online course display of one port in the diagram with scalable measured value, bargraph and unit (timeline of the measured value course from 12 sec up to 8 h scalable)

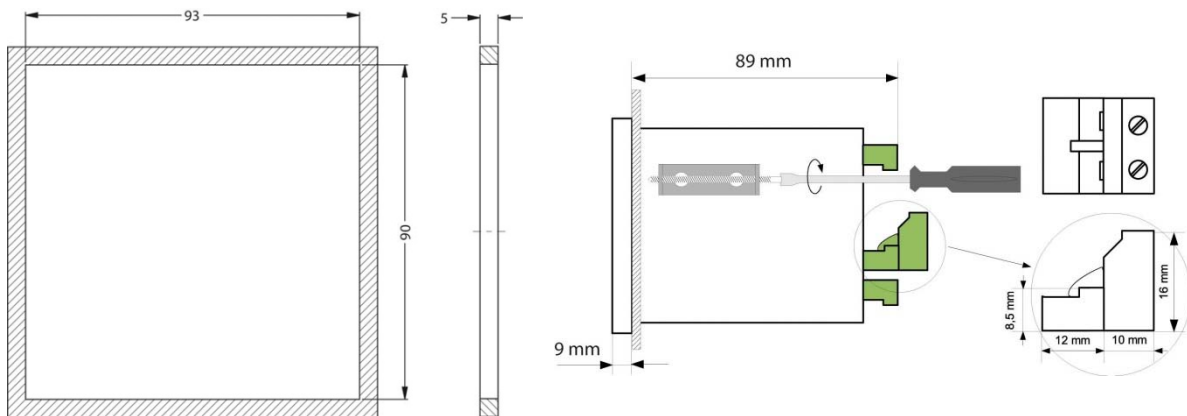


- ▶ single port display with scalable and standardized measured value, bargraph and unit



Supply	
Supply voltage	standard: 85 ... 260 V _{AC} or V _{DC} option: 16 ... 35 V _{AC} / 19 ... 50 V _{DC}
Power consumption	7 VA, max. 12 VA
Signal input	
Number	2, 4 or 8 inputs
Input signal	standard: 0/4 ... 20 mA option: Pt100 / Pt500 / Pt1000
Measuring range	current inputs: ± 9999 temperature inputs: -100 ... 600 °C
Transmitter supply	
DC	current inputs: 24 V _{DC} ± 5 % max. 200 mA temperature inputs: max. 50 mA
Contacts	
Contact	2 independent relay outputs
Switching voltage	max. 24 V _{AC}
Switching current	max. 200 mA (cos φ 1)
Communication / Performance	
Communication interface	RS-485 (Modbus RTU, galvanically separated)
Transmission speed	1 200 – 115 200 bit/sec.
Permissible temperatures	
Operating temperature	0 ... 50 °C
Storage temperature	-10 ... 70 °C
Electrical protection	
Electrical safety	EN 61010-1
EMC	EN 61326
Miscellaneous	
Ingress protection	IP 65 (front foil), IP 20 (housing, connectors)
Display	LCD, 128 x 64 points, with backlight
Accuracy (25 °C)	± 0.1 % FSO tolerance band (0 ... 50 °C): max. 0.25 % FSO
Housing dimensions	96 x 96 x 98 mm
Housing	panel
Housing material	NORYL-GFN2S E1
Weight	approx. 400 g
CE-conformity	EMC Directive: 2014/30/EU

Dimensions (in mm)

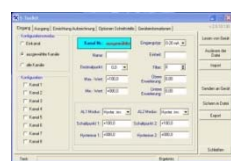


mounting hole dimensions

dimensions of brackets and connectors

Accessories

Software S-Toolkit



S-Toolkit

Program for the complete configuration of CIT 600. The data are imported via USB removable medium or via RS-485 interface.

This software is included in scope of supply.

Lockable, transparent door

Converter RS485 / USB

Ordering code CIT 600

CIT 600 - - - - - -

Version						
2 analogue input signals	2					
4 analogue input signals	4					
8 analogue input signals	8					
Input type						
0/4 ... 20 mA	1					
Pt100 , Pt500, Pt1000	2					
Supply						
85 ... 260 V _{AC} / V _{DC}	1					
16 ... 35 V _{AC} / 19 ... 50 V _{DC}	2					
Contacts						
2 OC relais outputs	1					
Display foil						
neutral			1	0	0	
customer			9	9	9	consult
Special version						
standard				0	0	0
customer				9	9	9
Accessories						
lockable, transparent door						Z900002
converter RS-485 / USB						CM-3

© 2016 BD|SENSORS GmbH - The specifications given in this document represent the state of engineering at the time of publishing. We reserve the right to make modifications to the specifications and materials.

28.04.2016

