



CIT 350

Process Display with Contacts and Analogue Output

Functional range

- ▶ extended bargraph settings
- ▶ free scalable display
- ▶ four characteristic curve functions selectable (linear, root, square function or max. 20 free selectable points)
- ▶ switch mode, hysteresis, parameterizable deceleration of relay outputs
- ▶ display brightness and filter adjustable
- ▶ adjustable analogue output 0/4 ... 20 mA
- ▶ acoustic signal

Product characteristics

- ▶ input signal: 0/4 ... 20 mA, 0/1 ... 5 V, 0/2 ... 10 V
- ▶ 4-digit LED display
- ▶ 20-segment bargraph
- ▶ transducer supply 24 V_{DC}
- ▶ communication interface RS485 (Modbus RTU)
- ▶ front panel housing 48 x 96 mm

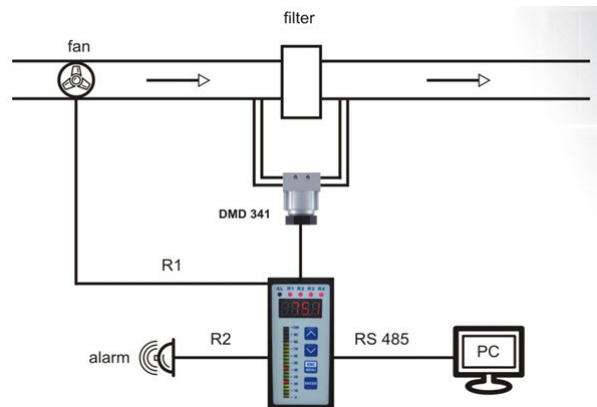
Optional versions

- ▶ 2 or 4 contacts, analogue output

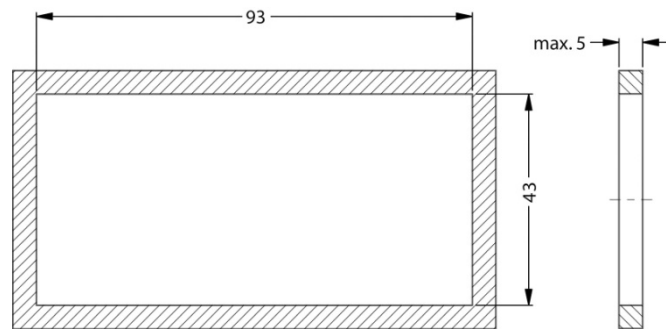
Typical application



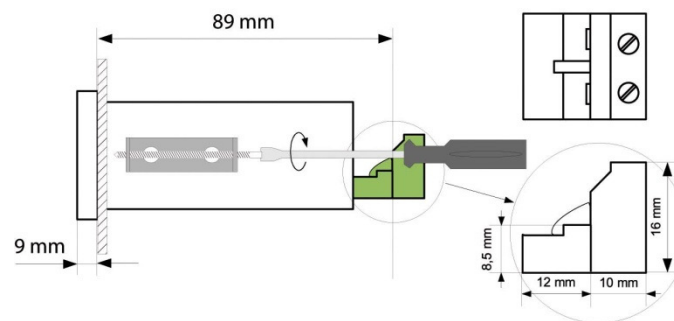
filter controlling



Supply		
Supply voltage	standard: 85 ... 260 V _{AC} or V _{DC}	option: 16 ... 35 V _{AC} / 19 ... 50 V _{DC}
Power consumption	max. 4.5 VA or W	
Signal input		
Input signal	0/4 ... 20 mA, 0/1 ... 5 V, 0/2 ... 10 V	
Contacts (optional)		
Contact	2 or 4 SPST-relay	
Switching voltage	max. 250 V _{AC}	
Switching current	max. 1 A (cos φ 1)	
Analogue output (optional)		
Output signal	0/4 ... 20 mA (only possible in combination with 2 contacts)	
Permissible load	max. 700 Ω	
Transducer supply		
DC	24 V _{DC} + 5%, - 10%, max. 100 mA	
Communication / Performance		
Communication interface	RS485 (Modbus RTU)	
Transmission speed	1 200 – 115 200 bit/sec.	
Permissible temperatures		
Operating temperature	0 ... 50 °C	
Storage temperature	-10 ... 70 °C	
Electrical protection		
Electrical safety	EN 61010-1	
EMC	EN 61326	
Miscellaneous		
Ingress protection	IP 65 (front foil), IP 20 (housing, connectors)	
Display	4-digit LED display, red, 4 x 9 mm; multicolour 20-segment bargraph	
Range of indication	- 999 ... 9999 + decimal point	
Accuracy (25 °C)	± 0.1 % FSO	tolerance band (0 ... 50 °C): max. 0.25 % FSO
Housing dimensions	48 x 96 x 98 mm	
Housing	panel	
Housing material	NORYL-GFN2S E1	
Weight	approx. 400 g	
CE-conformity	EMC Directive: 2014/30/EU	
Dimensions (in mm)		



mounting hole dimensions



dimensions of brackets and connectors

© 2018 BD|SENSORS GmbH – The specifications given in this document represent the state of engineering at the time of publishing. We reserve the right to make modifications to the specifications and materials.

Ordering code CIT 350

CIT 350 - - - - -

Input type					
0/4 ... 20 mA, 0/1 ... 5 V, 0/2 ... 10 V	1				
Output					
without	0				
2 SPST relay	2				
4 SPST relay	4				
2 relay outputs + analogue output	5				
Supply					
85 ... 260 V _{AC} / V _{DC}	1				
16 ... 35 V _{AC} / 19 ... 50 V _{DC}	2				
Display foil					
neutral		1	0	0	
customer		9	9	9	consult
Special version					
standard			0	0	0
customer			9	9	9
					consult

© 2013 BD|SENSORS GmbH - The specifications given in this document represent the state of engineering at the time of publishing. We reserve the right to make modifications to the specifications and materials.

01.06.2013

