

CIT 300

Process Display with Contacts and Analogue Output



Functional range

- ▶ free scalable display
- ▶ four characteristic curve functions selectable (linear, root, square function or max. 20 free selectable points)
- ▶ switch mode, hysteresis, parameterizable deceleration of relay outputs
- ▶ display brightness and filter adjustable
- ▶ adjustable analogue output 0/4 ... 20 mA
- ▶ acoustic signal

Product characteristics

- ▶ input signal: 0/4 ... 20 mA, 0/1 ... 5 V, 0/2 ... 10 V
- ▶ 4-digit LED display
- ▶ transducer supply 24 V_{DC}
- ▶ communication interface RS485 (Modbus RTU)
- ▶ front panel housing 96 x 48 mm

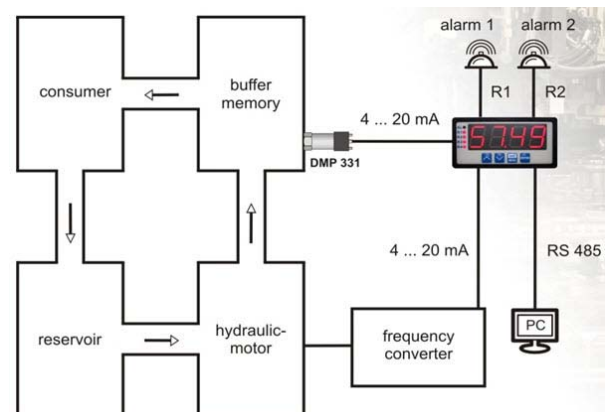
Optional versions

- ▶ input signal Pt100 / Pt500 / Pt1000, 0 ... 60 / 75 / 100 / 150 mV, thermocouple (K, S, J, T, N, R, B, E)
- ▶ 2 / 4 contacts, analogue output

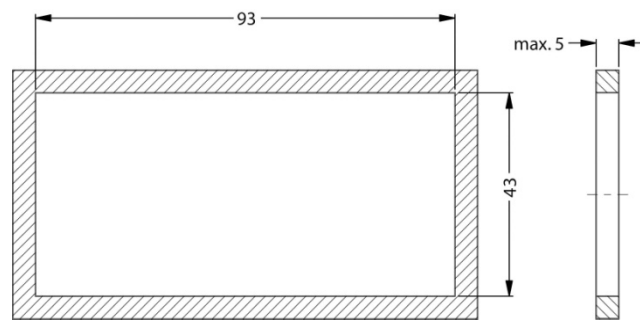
Typical application



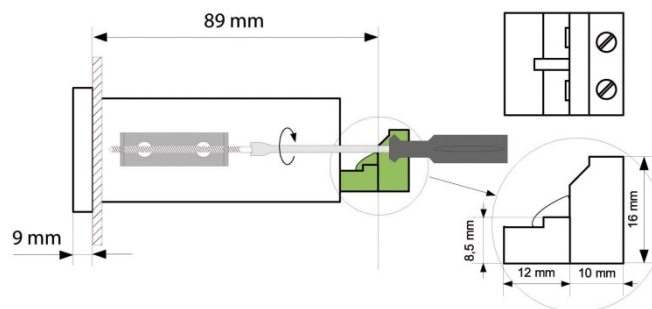
pressure regulation of a hydraulic circuit



Supply		
Supply voltage	standard: 85 ... 260 V _{AC} or V _{DC}	option: 16 ... 35 V _{AC} / 19 ... 50 V _{DC}
Power consumption	max. 6.5 VA or W	
Signal input		
Input signal	standard: 0/4 ... 20 mA, 0/1 ... 5 V, 0/2 ... 10 V option: Pt100 / Pt500 / Pt1000 universal input 0/4 ... 20 mA, 0/1 ... 5 V, 0/2 ... 10 V, 0 ... 60/75/100/150 mV, Pt100 / Pt500 / Pt1000, Thermocouple (K, S, J, T, N, R, B, E)	
Contacts (optional)		
Contact	2 or 4 SPST-relay	
Switching voltage	max. 250 V _{AC}	
Switching current	max. 1 A (cos φ 1)	
Analogue output (optional)		
Output signal / permissible load	0/4 ... 20 mA (only possible in combination with 2 contacts) / max. 700 Ω	
Transducer supply		
DC	24 V _{DC} + 5 %, - 10 %, max. 100 mA	
Communication / Performance		
Communication interface	RS485 (Modbus RTU)	
Transmission speed	1 200 – 115 200 bit/sec.	
Permissible temperatures		
Operating temperature	0 ... 50 °C	
Storage temperature	-10 ... 70 °C	
Electrical protection		
Electrical safety	EN 61010-1	
EMC	EN 61326	
Miscellaneous		
Ingress protection	IP 65 (front foil), IP 20 (housing, connectors)	
Display	4-digit LED display, red, 4 x 20 mm	
Range of indication	- 999 ... 9999 + decimal point	
Accuracy (25 °C)	± 0,1 %, 0,25 % (TC: N), 0,5 % (TC: S, T, R, B)	stability: 0,05 % / 10 K
Housing dimensions	96 x 48 x 98 mm	
Housing	panel	
Housing material	NORYL-GFN2S E1	
Weight	approx. 400 g	
CE-conformity	EMC Directive: 2014/30/EU	
Dimensions (in mm)		



mounting hole dimensions



dimensions of brackets and connectors

© 2018 BD|SENSORS GmbH – The specifications given in this document represent the state of engineering at the time of publishing. We reserve the right to make modifications to the specifications and materials.

Ordering code CIT 300

CIT 300

- - - - -

Input type					
0/4 ... 20 mA, 0/1 ... 5 V, 0/2 ... 10 V	1				
Pt100, Pt500, Pt1000	2				
universal (mA, mV, V, RTD, TC)	3				
Output					
without	0				
2 SPST relay	2				
4 SPST relay	4				
2 relay outputs + analogue output	5				
Supply					
85 ... 260 V _{AC} / V _{DC}	1				
16 ... 35 V _{AC} / 19 ... 50 V _{DC}	2				
Display foil					
neutral			1 0 0		
customer			9 9 9		consult
Special version					
standard				0 0 0	
customer				9 9 9	consult

© 2014 BD|SENSORS GmbH - The specifications given in this document represent the state of engineering at the time of publishing. We reserve the right to make modifications to the specifications and materials.

26.03.2014

