

30.600 G

OEM Pressure Transmitter Low Cost

Applications

- ▶ mechanical and plant engineering
- ▶ general industrial applications

Characteristics

- ▶ ceramic sensor
- ▶ accuracy 1 % span according to EN IEC 62828-2
- ▶ nominal pressure ranges from 0 ... 1.6 bar up to 0 ... 250 bar



Technical Data

Input pressure range													
Nominal pressure gauge	[bar]	1.6	2.5	4	6	10	16	25	40	60	100	160	250
Overpressure	[bar]	5	5	12	12	20	50	50	120	120	200	400	400
Burst pressure ≥	[bar]	7	7,5	15	18	30	70	75	150	180	300	500	750
Vacuum resistance		unlimited											

Output signal / Supply	
Standard	2-wire: 4 ... 20 mA / $V_S = 8 \dots 32 V_{DC}$
Options	3-wire: 0 ... 10 V / $V_S = 14 \dots 30 V_{DC}$
	3-wire ratiometric: 10...90 % of V_S / $V_S = 2.7 \dots 5 V_{DC}$

Performance	
Accuracy ¹	≤ ± 1 % span
Permissible load	2-wire: $R_{max} = [(V_S - V_{S min}) / 0.02 A] \Omega$ 3-wire: $R_{min} = 10 k\Omega$
Influence effects	supply: 0.05 % span / 10 V load: 0.05 % span / kΩ
Response time	2-wire: ≤ 10 msec 3-wire: ≤ 3 msec
Long term stability	≤ ± 0.3 % span / year at reference conditions
Measuring rate	1 kHz

¹ accuracy according to EN IEC 62828-2 – limit point adjustment (non-linearity, hysteresis, repeatability)

Thermal effects (Offset and Span) / Permissible temperatures			
Thermal error	≤ ± 0.5 % span / 10 K (typ.)	in compensated range	-25 ... 85 °C
Permissible temperatures	medium: -25 ... 125 °C	electronics / environment:	-25 ... 85 °C storage: -40 ... 85 °C

Electrical protection	
Short-circuit protection	permanent 3-wire ratiometric: none
Reverse polarity protection	no damage, but also no function
Electromagnetic protection	emission and immunity according to EN 61326

Mechanical stability	
Vibration	10 g, 25 Hz ... 2 kHz according to DIN EN 60068-2-6
Shock	500 g / 1 msec according to DIN EN 60068-2-27

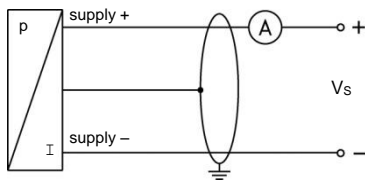


Materials	
Pressure port / housing	stainless steel 1.4301 (304)
Seals (media wetted)	FKM others on request
Diaphragm	ceramics Al ₂ O ₃ 96 %
Media wetted parts	pressure port, seals, diaphragm
Miscellaneous	
Weight	approx. 120 g
Current consumption	2-wire: max. 25 mA 3-wire ratiometric: typ. 1.5 mA 3-wire voltage: max. 7 mA (short circuit current: max. 20 mA)
Operational life	100 million load cycles
CE-conformity	EMC Directive: 2014/30/EU Pressure Equipment Directive: 2014/68/EU (module A) ²

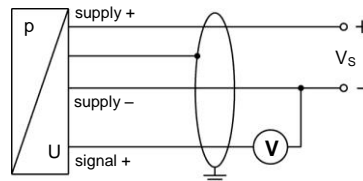
² This directive is only valid for devices with maximum permissible overpressure > 200 bar

Wiring diagrams

2-wire-system (current)



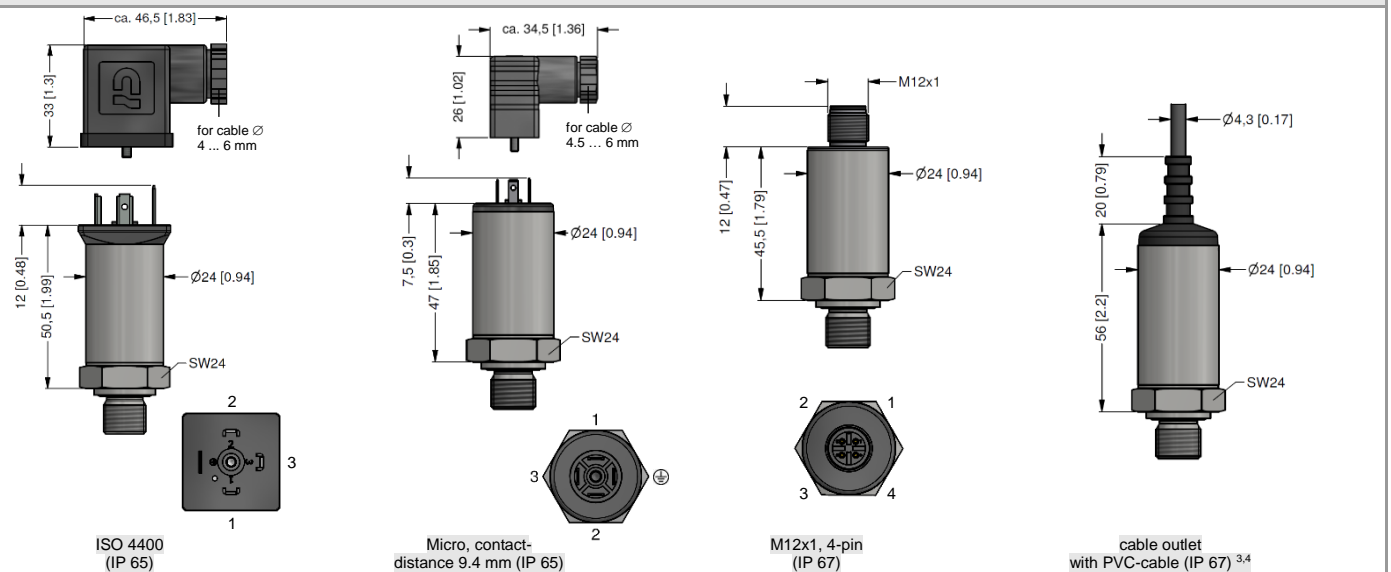
3-wire-system (voltage)



Pin configuration

Electrical connection	ISO 4400	Micro (contact distance 9.4 mm)	M12x1 (4-pin), metal	cable colour (IEC 60757)
Supply +	1	1	1	wh (white)
Supply -	2	2	2	bn (brown)
Signal + (for 3-wire)	3	3	3	gn (green)
Shield	ground pin	ground pin	4	gn/ye (green / yellow)

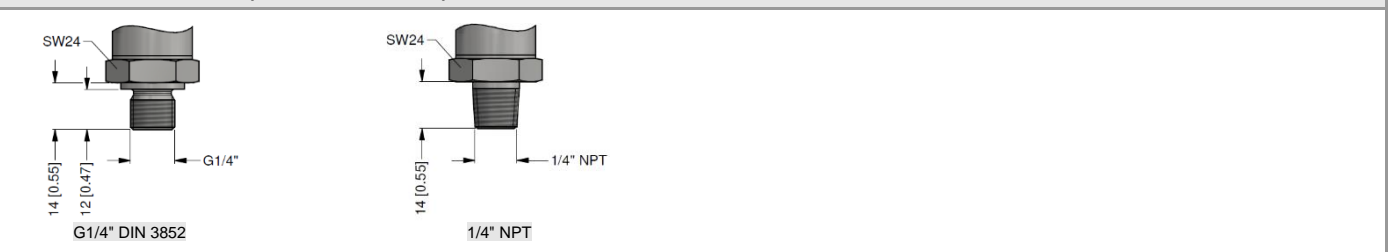
Electrical connections (dimensions in mm)



³ standard: 2 m PVC cable without ventilation tube (permissible temperature: -5 ... 70 °C)

⁴ different cable types and lengths available, permissible temperature depends on kind of cable

Mechanical connection (dimensions in mm)



This data sheet contains product specification. Properties are not guaranteed. Subject to change without notice.

Ordering code OEM 30.600G

29.06.2023

OEM 30.600G

□ □ □ - R - □ - □ - □ □ □ - □ □ □ - □ - □ - □ □ □

Input [bar]

0 ... 1,6	1	6	0	1
0 ... 2,5	2	5	0	1
0 ... 4	4	0	0	1
0 ... 6	6	0	0	1
0 ... 10	1	0	0	2
0 ... 16	1	6	0	2
0 ... 25	2	5	0	2
0 ... 40	4	0	0	2
0 ... 60	6	0	0	2
0 ... 100	1	0	0	3
0 ... 160	1	6	0	3
0 ... 250	2	5	0	3
Customer	9	9	9	9
Customer underpressure	X	X	X	X

Pressure

Gauge R

Output

4 ... 20 mA / 2-wire	1
0 ... 10 V / 3-wire	3
1 ... 10 V / 3-wire	34
0,5 ... 4,5 V / 3-wire	8
10 ... 90 % Vs / 3-wire ratiometric (Vs = 2,7 ... 5 V DC)	R
Customer	9

Accuracy

1 %	8
1 % including Calibration Certificate	U
Customer	9

Electrical connection

Connector DIN 43650 (ISO 4400) (IP 65)	1	0	0
Cable gland PG7 / cable length specify (IP 67)	4	0	0
+ PVC cable / 1 m			
Connector M12 x 1, 4-pin (IP 67)	M	0	0
Connector M12 x 1, 4-pin (IP 67) - without plug	M	B	S
Connector M12 x 1, 4-pin (IP 67) - metal	M	1	0
Cable outlet / cable length specify (IP 67) ¹	T	A	0
+ PVC cable / 1 m			
Customer	9	9	9

Mechanical connection

G 1/2" EN 837	2	0	0
G 1/4" DIN 3852	3	0	0
M 20 x 1,5 EN 837	8	0	0
1/4" NPT	N	4	0
G 1/8" DIN 3852	Z	3	7
Customer	9	9	9

Housing type

Standard 2

Seals

Viton (FKM)	1
Customer	9



BD SENSORS s.r.o.
Hradištská 817
CZ – 687 08 Buchlovice

Tel.: +420 572 411 011
Fax: +420 572 411 497

www.bdsensors.cz
info@bdsensors.cz

The company BD SENSORS s.r.o. is certified by TÜV SÜD Czech according to the standard ISO 9001.



Special version			
Standard	0	0	0
Oil and grease free	0	0	8
Oxygen application (PN ≤ 25 bar)	0	0	7
Customer	9	9	9

0,- ... without additional charge

On request...in accordance with the producer

1 - cable without through capillary (permissible temperature -5... +70 °C)

Surcharges for calibration are not subject to any discounts. Subject to change.

This document contains the specification for ordering the product;

detailed technical parameters of the product and its possible variants are given in the data sheet.

BD SENSORS reserves the right to change sensor specifications without further notice.



BD SENSORS s.r.o.
Hradištská 817
CZ – 687 08 Buchlovice

Tel.: +420 572 411 011
Fax: +420 572 411 497

www.bdsensors.cz
info@bdsensors.cz

The company BD SENSORS s.r.o. is certified by TÜV SÜD Czech according to the standard ISO 9001.

